

RPD-03 Series Radial Piston Flow divider

Type	Displacement per section (cm/rev)	Max. Flow per section (l/min)		Pressure (bar) Continue/Peak	Max. Power per section (KW)
		Continue	Intermittent		
RPD-C	28	28	40	240/320	12
RPD-D	35	35	50	240/320	15
RPD-F	50	50	70	240/320	20
RPD-G	78	78	100	240/320	30
RPD-H	106	106	120	240/320	40

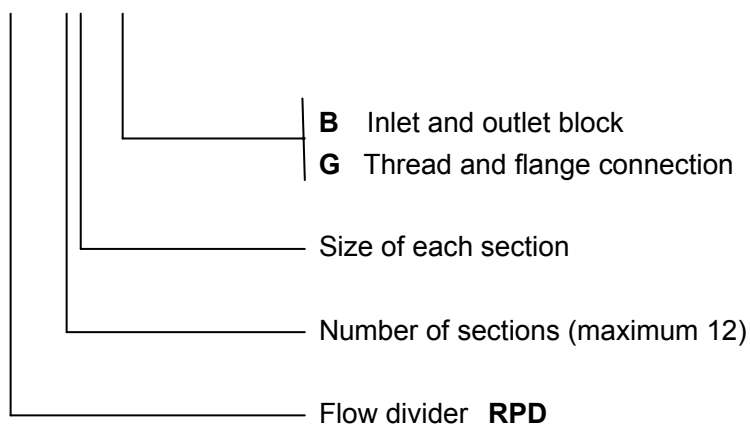
The radial piston motor design has larger pressure drops than the gear motor, the value of pressure drop is about 20% of the value of pressure input.

Drain-line piping is to be installed in a way that it cannot get empty. it is necessary to fill the motor complete before the first start.

Synchronization tolerances $\pm 0.4\%$ up to $\pm 0.8\%$.

How To Order

Example: **RPD-4/D-B**



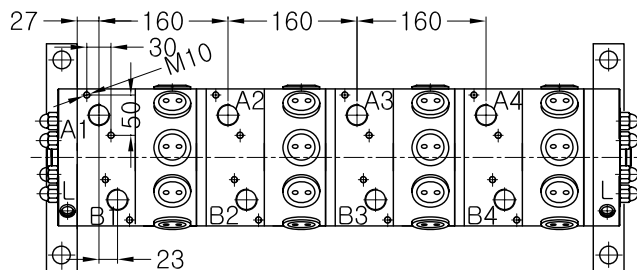
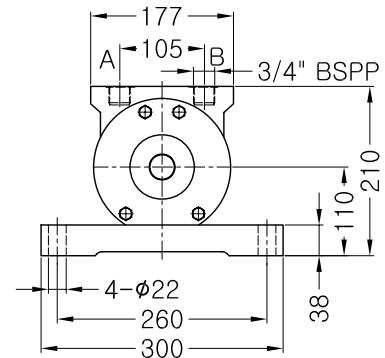
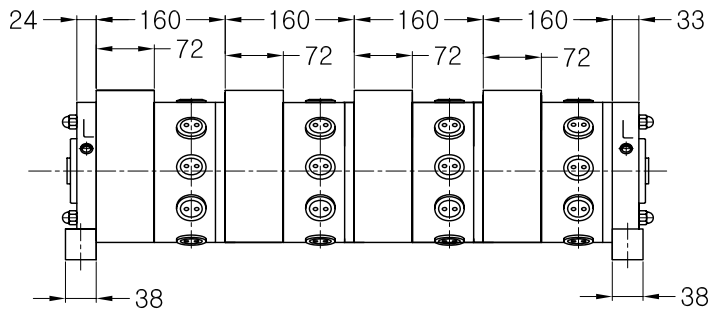
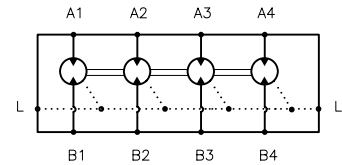
RPD-03 Series Radial Piston Flow divider

RPD-C/D-G

Connections

- B1 to B4 G3/4" Input, to be connected together
- A1 to A4 G3/4" Output, section-flows
- L G1/4" Drain-ports, drain pressure max. 2 bar

DIN ISO 1219



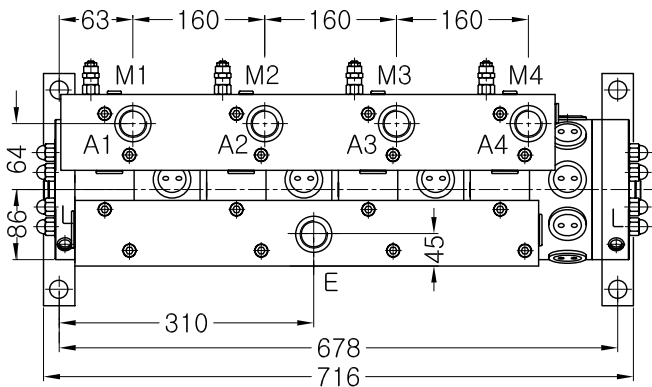
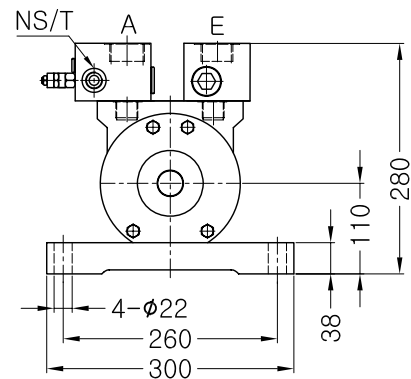
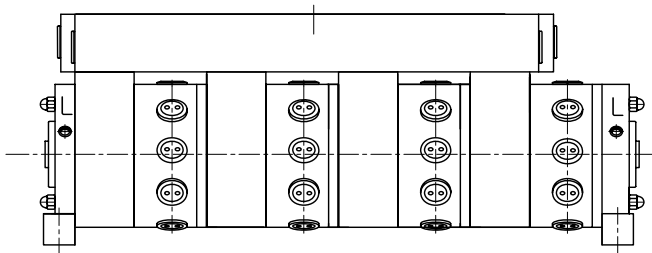
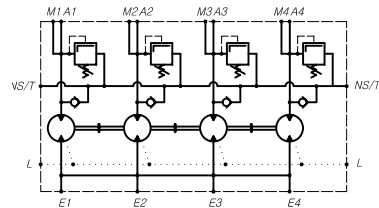
RPD-03 Series Radial Piston Flow divider

RPD-C/D-B

Connections

E	G1 1/4"	Input
A1 to A4	G1 1/4"	Output, divider flows
L	G1/4"	Drain-ports, drain pressure max. 2 bar
NS/T	G1/2"	Tank and low-pressure-feeding
M1 to M4	G1/4"	Measuring port for each section

DIN ISO 1219



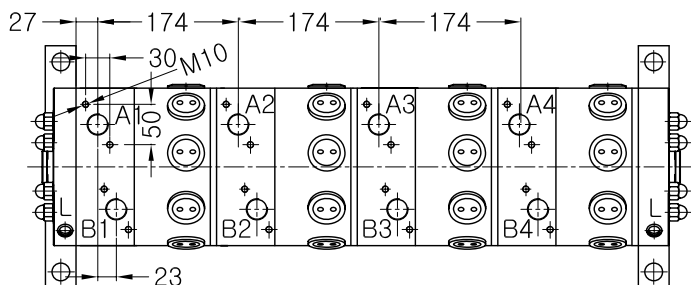
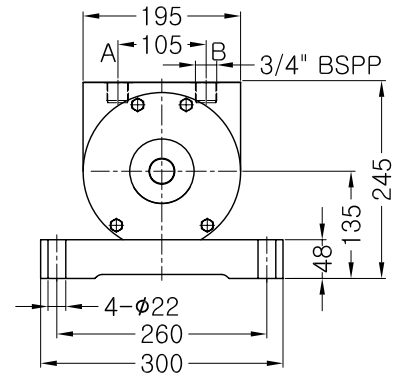
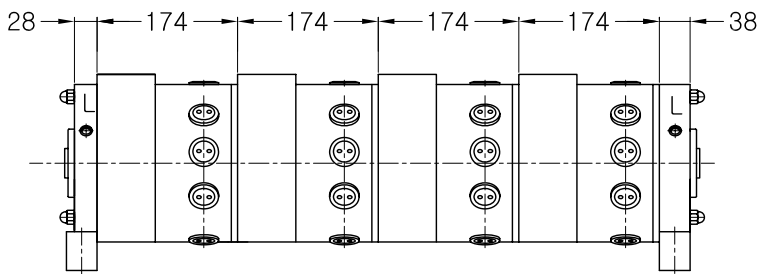
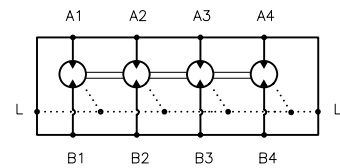
RPD-03 Series Radial Piston Flow divider

RPD-F/G/H-G

Connections

- B1 to B4 G3/4" Input, to be connected together
- A1 to A4 G3/4" Output, section-flows
- L G3/8" Drain-ports, drain pressure max. 2 bar

DIN ISO 1219



RPD-03 Series Radial Piston Flow divider

RPD-F/G/H-B

Connections

E	G1 1/2"	Input
A1 to A4	G1 1/4"	Output, divider flows
L	G3/8"	Drain-ports, drain pressure max. 2 bar
NS/T	G3/4"	Tank and low-pressure-feeding
M1 to M4	G1/4"	Measuring port for each section

DIN ISO 1219

