

DPL Module Series

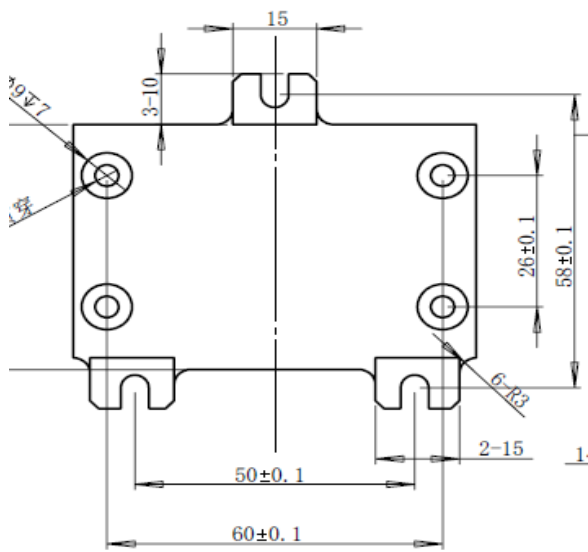
This module series uses laser diode as pump source and obtains 1064nm output laser by YAG crystal of different specifications. The module has the features of compact structure, high applicability and stable performance. Its main applications are laser marking, laser medical, laser cutting, laser engraving, laser grossing, etc.



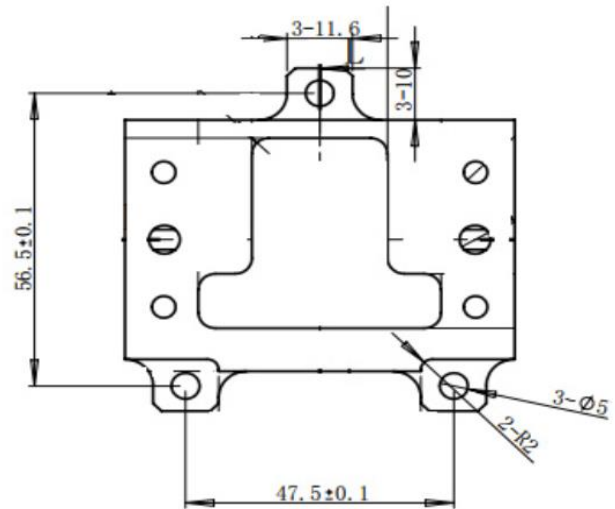
Technical Parameters (25°C)

Parameters	Unit	Model		
Output Wavelength	nm	1064nm		
Working Mode	-	CW		
Height Of Light Output	mm	40	40 (or 38)	45
Output Power	W	75	100	300
Crystal Rod	mm	Φ3*67	Φ3*75	Φ5*130
Threshold Current	A	≤8	≤12	≤12
Operating Current	A	≤22	≤32	≤32
Operating Voltage	V	≤30	≤24	≤60
Operating Temperature	°C	25		
Storage Temperature	°C	5~50		
Flow Rate	L/min	>6		

Mounting Dimensions:

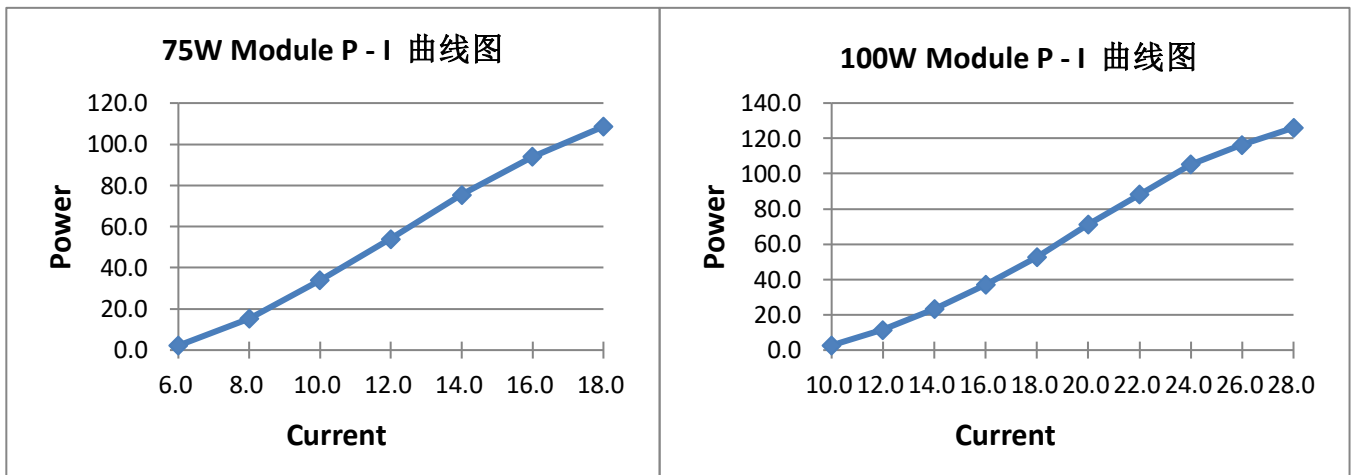


75W Module



100W Module

Reference Curve:



Note:

1. Parametric test conditions: The cavity length is 450 mm, and the output mirror transmittance is 20%.

2. We can customize the production according to customers' needs.