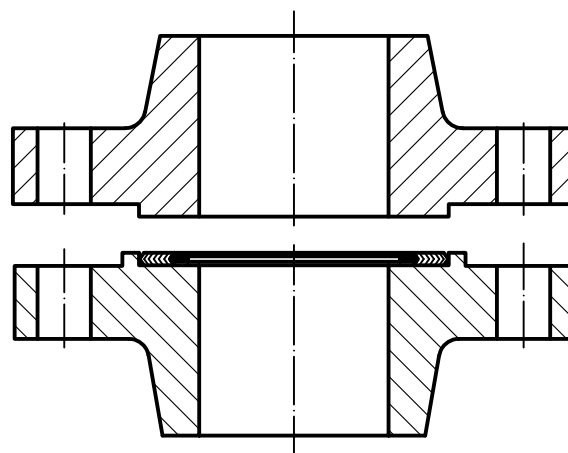
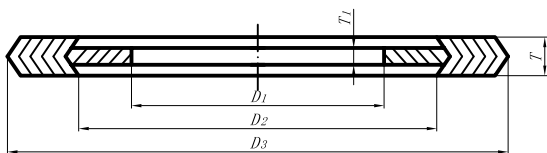


订货示意: DH06A-D₂×D₃×T-(材料)

订货示例: DH06A-105.5×120.5×2.5-(石墨+304)

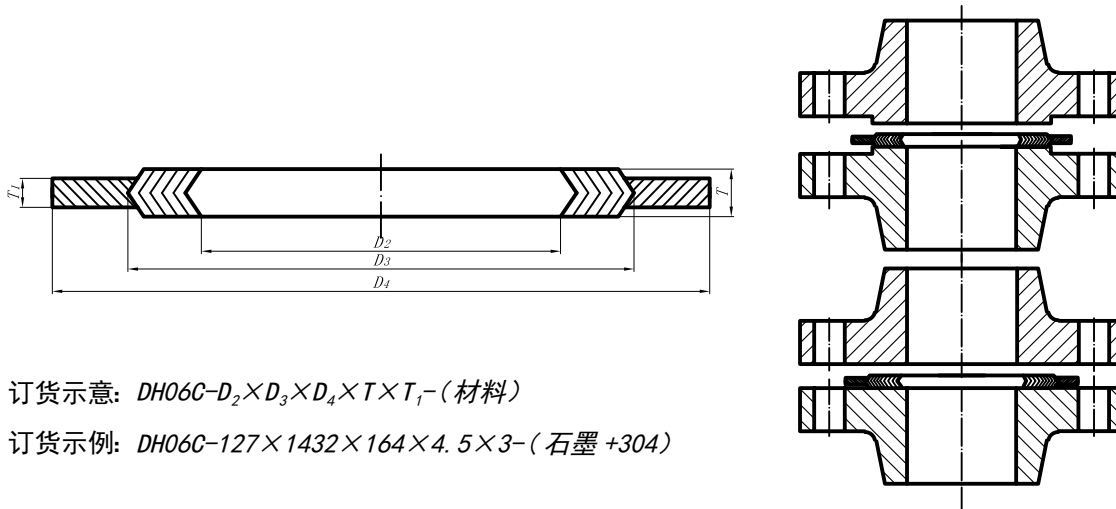
公称尺寸 DN	公称压力 PN (bar)		
	16,25,40,63,100,150,250		
	D ₂	D ₃	T
10	23.5	34.5	2.5 或 3.2
15	28.5	39.5	2.5 或 3.2
20	35.5	50.5	2.5 或 3.2
25	42.5	57.5	2.5 或 3.2
32	50.5	65.5	2.5 或 3.2
40	60.5	75.5	2.5 或 3.2
50	72.5	87.5	2.5 或 3.2
65	94.5	109.5	2.5 或 3.2
80	105.5	120.5	2.5 或 3.2
100	128.5	149.5	3.2
125	154.5	175.5	3.2
150	182.5	203.5	3.2
200	238.5	259.5	3.2
250	291.5	312.5	3.2
300	342.5	363.5	3.2
350	394.5	421.5	4.5
400	446.5	473.5	4.5
450	496.5	523.5	4.5
500	548.5	575.5	4.5
600	648.5	675.5	4.5
700	750.5	777.5	4.5
800	855.5	882.5	4.5
900	960.5	987.5	4.5
1000	1060.5	1093.5	4.5
1200	1260.5	1293.5	4.5
1400	1460.5	1493.5	4.5
1600	1660.5	1693.5	4.5
1800	1860.5	1893.5	4.5
2000	2060.5	2093.5	4.5



订货示意: $DH06B-D_1 \times D_2 \times D_3 \times T \times T_1$ -(材料)

订货示例: $DH06B-116 \times 128.5 \times 149 \times 3.2 \times 2$ -(石墨+304)

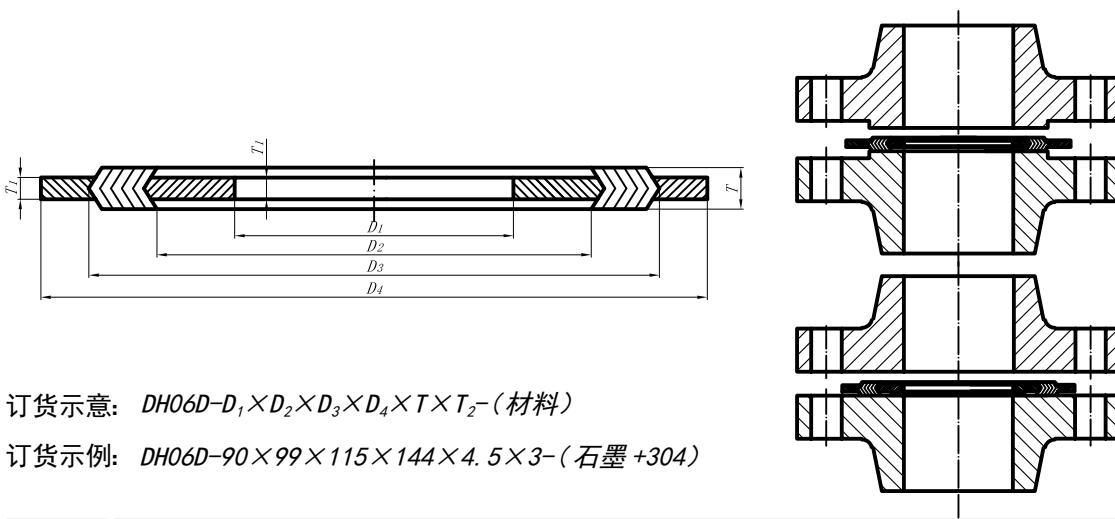
公称尺寸 DN	公称压力 PN (bar)				
	16,25,40,63,100,150,250				
	D ₁	D ₂	D ₃	T ₁	T
10	15.0	23.5	34.5	2.0	3.2
15	19.0	28.5	39.5	2.0	3.2
20	24.0	35.5	50.5	2.0	3.2
25	30.0	42.5	57.5	2.0	3.2
32	39.0	50.5	65.5	2.0	3.2
40	45.0	60.5	75.5	2.0	3.2
50	63.0	72.5	87.5	2.0	3.2
65	85.0	94.5	109.5	2.0	3.2
80	96.0	105.5	120.5	2.0	3.2
100	116.0	128.5	149.5	2.0或3.0	3.2或4.5
125	142.0	154.5	175.5	2.0或3.0	3.2或4.5
150	170.0	182.5	203.5	2.0或3.0	3.2或4.5
200	226.0	238.5	259.5	2.0或3.0	3.2或4.5
250	279.0	291.5	312.5	2.0或3.0	3.2或4.5
300	330.0	342.5	363.5	2.0或3.0	3.2或4.5
350	378.0	394.5	421.5	3.0	4.5
400	430.0	446.5	473.5	3.0	4.5
450	480.0	496.5	523.5	3.0	4.5
500	532.0	548.5	575.5	3.0	4.5
600	632.0	648.5	675.5	3.0	4.5
700	734.0	750.5	777.5	3.0	4.5
800	835.0	855.5	882.5	3.0	4.5
900	940.0	960.5	987.5	3.0	4.5
1000	1040.0	1060.5	1093.5	3.0	4.5
1200	1240.0	1260.5	1293.5	3.0	4.5
1400	1430.0	1460.5	1493.5	3.0	4.5
1600	1630.0	1660.5	1693.5	3.0	4.5
1800	1830.0	1860.5	1893.5	3.0	4.5
2000	2030.0	2060.5	2093.5	3.0	4.5



订货示意: $DH06C-D_2 \times D_3 \times D_4 \times T \times T_1$ - (材料)

订货示例: $DH06C-127 \times 1432 \times 164 \times 4.5 \times 3$ - (石墨 +304)

公称尺寸 DN	公称压力 PN (bar)												
	10~160	10~40	63~250	10	16	25	40	63	100	160	250		
	D ₂	D ₃		D ₄				T ₁		T			
10	24.0	34	34	48	48	48	48	58	58	58	69	3.0	4.5
15	29.0	39	39	53	53	53	53	63	63	63	74	3.0	4.5
20	34.0	46	46	63	63	63	63	74	74	-	-	3.0	4.5
25	41.0	53	53	73	73	73	73	84	84	84	85	3.0	4.5
32	49.0	61	61	84	84	84	84	90	90	-	-	3.0	4.5
40	56.0	68	68	94	94	94	94	105	105	105	111	3.0	4.5
50	70.0	86	86	109	109	109	109	115	121	121	126	3.0	4.5
65	86.0	102	106	129	129	129	129	140	146	146	156	3.0	4.5
80	99.0	115	119	144	144	144	144	150	156	156	173	3.0	4.5
100	127.0	143	147	164	164	170	170	176	183	183	205	3.0	4.5
125	152.0	172	176	194	194	196	196	213	220	220	245	3.0	4.5
150	179.0	199	203	220	220	226	226	250	260	260	287	3.0	4.5
200	228.0	248	252	275	275	286	293	312	327	327	361	3.0	4.5
250	279.0	303	307	330	331	343	355	367	394	391	445	3.0	4.5
300	334.0	358	360	380	386	403	420	427	461	461	542	3.0	4.5
350	392.0	416	420	440	446	460	477	489	515			3.0或5.0	4.5或6.5
400	438.0	466	472	491	498	517	549	546	575			3.0或5.0	4.5或6.5
450	488.0	516	522	541	558	567	574					3.0或5.0	4.5或6.5
500	542.0	570	576	596	620	627	631					3.0或5.0	4.5或6.5
600	642.0	670		698	737	734	750					3.0或5.0	4.5或6.5
700	732.0	766		813	807	836						3.0或5.0	4.5或6.5
800	840.0	874		920	914	945						3.0或5.0	4.5或6.5
900	940.0	974		1020	1014	1045						3.0或5.0	4.5或6.5
1000	1030.0	1078		1127	1131	1158						3.0或5.0	4.5或6.5
1200	1230.0	1280		1344	1345							3.0或5.0	4.5或6.5
1400	1450.0	1510		1551	1545							3.0或5.0	4.5或6.5
1600	1660.0	1720		1775	1768							3.0或5.0	4.5或6.5
1800	1860	1920		1975	1968							3.0或5.0	4.5或6.5
2000	2050	2120		2185	2174							3.0或5.0	4.5或6.5
												3.0或5.0	4.5或6.5



订货示意: DH06D-D₁×D₂×D₃×D₄×T×T₂-(材料)

订货示例: DH06D-90×99×115×144×4.5×3-(石墨+304)

公称尺寸 DN	公称压力 PN (bar)													
	16~250		10~40		63~250		10	16	25	40	63	100	160	250
	D ₁	D ₂	D ₃		D ₄				T ₁	T				
10	16.0	24.0	34	34	48	48	48	48	58	58	58	69	3.0	4.5
15	21.0	29.0	39	39	53	53	53	53	63	63	63	74	3.0	4.5
20	26.0	34.0	46	46	63	63	63	63	74	74	-	-	3.0	4.5
25	33.0	41.0	53	53	73	73	73	73	84	84	84	85	3.0	4.5
32	41.0	49.0	61	61	84	84	84	84	90	90	-	-	3.0	4.5
40	48.0	56.0	68	68	94	94	94	94	105	105	105	111	3.0	4.5
50	61.0	70.0	86	86	109	109	109	109	115	121	121	126	3.0	4.5
65	77.0	86.0	102	106	129	129	129	129	140	146	146	156	3.0	4.5
80	90.0	99.0	115	119	144	144	144	144	150	156	156	173	3.0	4.5
100	115.0	127.0	143	147	164	164	170	170	176	183	183	205	3.0	4.5
125	140.0	152.0	172	176	194	194	196	196	213	220	220	245	3.0	4.5
150	167.0	179.0	199	203	220	220	226	226	250	260	260	287	3.0	4.5
200	216.0	228.0	248	252	275	275	286	293	312	327	327	361	3.0	4.5
250	267.0	279.0	303	307	330	331	343	355	367	394	391	445	3.0	4.5
300	322.0	334.0	358	360	380	386	403	420	427	461	461	542	3.0	4.5
350	376.0	392.0	416	420	440	446	460	477	489	515			3.0或5.0	4.5或6.5
400	422.0	438.0	466	472	491	498	517	549	546	575			3.0或5.0	4.5或6.5
450	472.0	488.0	516	522	541	558	567	574					3.0或5.0	4.5或6.5
500	526.0	542.0	570	576	596	620	627	631					3.0或5.0	4.5或6.5
600	626.0	642.0	670		698	737	734	750					3.0或5.0	4.5或6.5
700	716.0	732.0	766		813	807	836						3.0或5.0	4.5或6.5
800	820.0	840.0	874		920	914	945						3.0或5.0	4.5或6.5
900	920.0	940.0	974		1020	1014	1045						3.0或5.0	4.5或6.5
1000	1010.0	1030.0	1078		1127	1131	1158						3.0或5.0	4.5或6.5
1200	1210.0	1230.0	1280		1344	1345							3.0或5.0	4.5或6.5
1400	1420.0	1450.0	1510		1551	1545							3.0或5.0	4.5或6.5
1600	1630.0	1660.0	1720		1775	1768							3.0或5.0	4.5或6.5
1800	1830.0	1860	1920		1975	1968							3.0或5.0	4.5或6.5
2000	2020.0	2050	2120		2185	2174							3.0或5.0	4.5或6.5
													3.0或5.0	4.5或6.5